

DOUBLE BALANCE MIXER

2.0 to 4.0 GHz

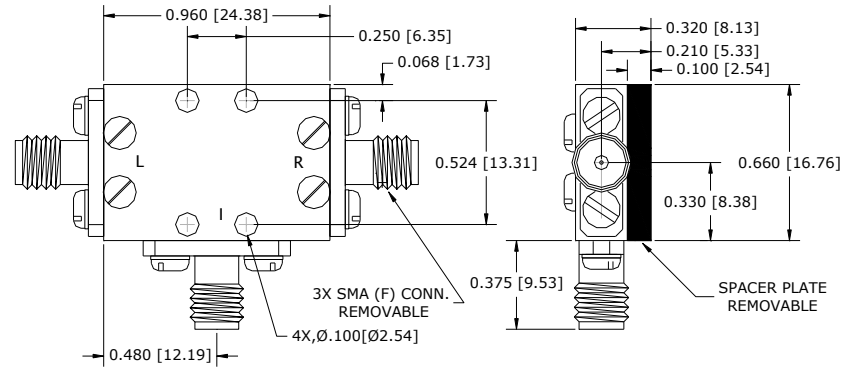
J2040MB

PRODUCT FEATURE

- †Broadband Frequency Application
- †Excellent Conversion Loss
- †High Isolation
- †Frequency Converter Application

ABSOLUTE MAXIMUM RATING:

Operating Temperature: -54°C to +100°C
 Storage Temperature: -65°C to +100°C
 Peak Input Power for any Single Port: +23 dBm Peak
 Max RF Input Power: 200mW CW@+25°C
 Peak Input Current @ 25°C: 100 mA



Parameters	SPECIFICATION @ 25 °C				
	FREQ. (GHz)	MIN (dB)	TYPICAL (dB)	MAX (dB)	CONDITIONS
CONVERSION LOSS					
RF INPUT	2.0 to 4.0		4.5	7.0	IF=100MHz
LO DRIVE	2.0 to 4.0				
IF OUTPUT	DC to 1.0				
VSWR	LO & IF RF		1.50:1 1.75:1		
ISOLATION					
LO - RF	2.0 to 4.0		40		
LO - IF	2.0 to 4.0		35		
RF - IF	2.0 to 4.0		40		
1 dB Compression Point			+4 dBm		
LO DRIVE		+7 dBm	+10 dBm	+13dBm	
Third-Order Input Intercept Point			+14 dBm		

NOTES:

1. Measured in a 50-ohm system with nominal LO drive and downconverter application only, unless otherwise specified. The I-Port frequency range extends to DC for phase detection, pulse modulation, or attenuator applications. I-Port VSWR degrades from a 50-ohm system at lo IF frequencies.
2. Typical values are measured at +25°C and are not guaranteed