

# ZBD Schottky Detector N – BNC Interface (NC)

0.01 to 2.0 GHz

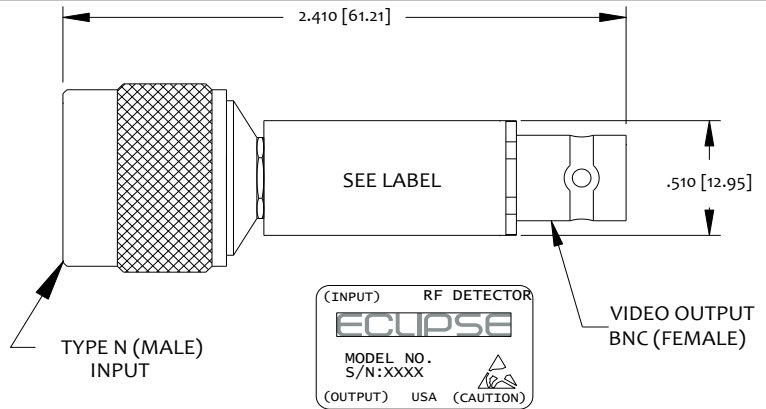
## EZM0120NC

**PRODUCT FEATURE**

- †No Bias Required
- †Negative (-) Polarity
- †Broadband Flat Frequency Response
- †Excellent VSWR

Max Input Power: +27 dBm Peak  
+20 dBm CW  
Operating Temperature: -54°C to +100°C  
Storage Temperature: -65°C to +100°C

Specification @ 25°C & -20 dBm Input Power



Parameters	SPECIFICATION				
	FREQ. (GHz)	MIN (dB)	TYPICAL (dB)	MAX (dB)	Units
Voltage Sensitivity	0.01 to 2.0	450	500		mV/mW Open Circuit
Voltage Sensitivity Stability over Temperature	0.01 to 2.0		3.0	3.5	dB
VSWR			1.18:1	1.20:1	
Flatness	0.01 to 2.0		±0.08	±0.10	dB
Polarity			Neg (-)		eV
Video Capacitance			470		pF
Dynamic Range	0.01 to 2.0	-30		+20	dBm