

ZBD Schottky Detector

.01 to 18.5 GHz

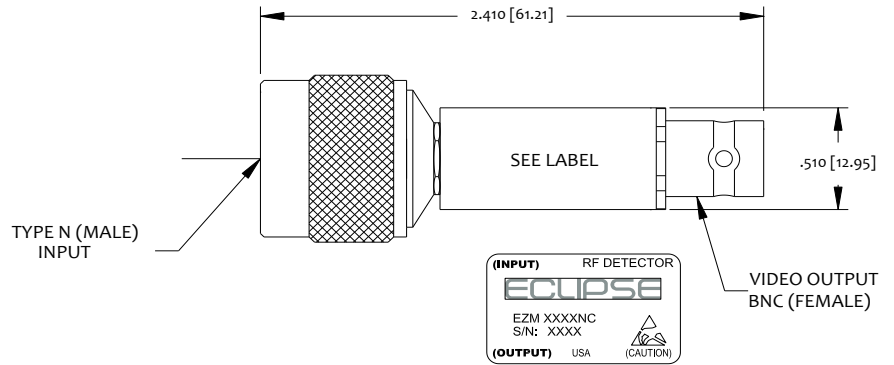
MODEL NO: EZM0118NC

PRODUCT FEATURE

- †No Bias Required
- †Neg (-) Polarity
- †Broadband Flat Frequency Response
- †Excellent VSWR

Max Input Power: +27 dBm Peak
 +20 dBm CW
 Operating Temperature: -25°C to +80°C
 Storage Temperature: -45°C to +100°C

Specification @ 25°C & -20 dBm Input Power



Parameters	SPECIFICATION				
	FREQ. (GHz)	MIN (dB)	TYPICAL (dB)	MAX (dB)	Units
Voltage Sensitivity	.01 to 18.5		400		mV/mW Open Circuit
Voltage Sensitivity Stability over Temperature	.01 to 18.5	2.5	3.0	3.5	dB
VSWR	.01 to 18.5		1.5	1.6	
Flatness			±0.50		dB
Polarity			Neg(-)		eV
Video Capacitance		420	470	500	pF
Dynamic Range	0.01 to 18.5	-30		+20	dBm

NOTES:

1. Negative output polarity is standard. Add P to the end of the model number for positive polarity, EZM0118PA3
2. Typical values are measured at +25°C and are not guaranteed