

# ZBD Schottky Detector

0.01 to 12.4 GHz

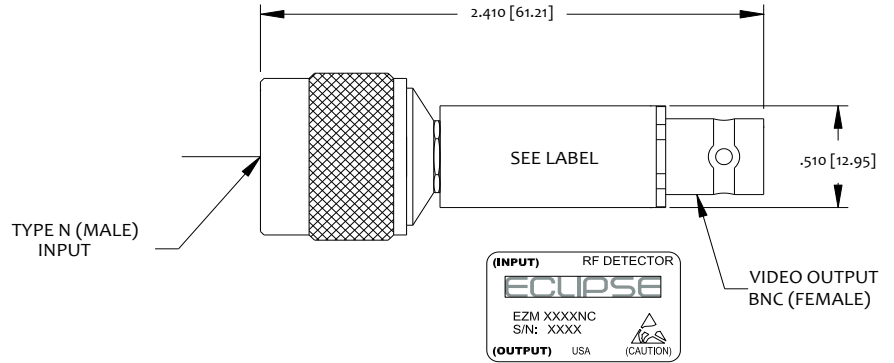
**MODEL NO: EZM0112NC**

PRODUCT FEATURE

- †No Bias Required
- †Negative (-) Polarity
- †Broadband Flat Frequency Response
- †Excellent VSWR

Max Input Power: +27 dBm Peak  
 +20 dBm CW  
 Operating Temperature: -54°C to +100°C  
 Storage Temperature: -65°C to +100°C

Specification @ 25°C & -20 dBm Input Power



Parameters	SPECIFICATION				
	FREQ. (GHz)	MIN (dB)	TYPICAL (dB)	MAX (dB)	Units
Voltage Sensitivity	0.01 to 12.4	300	500	600	mV/mW Open Circuit
Voltage Sensitivity Stability over Temperature	0.01 to 12.4	2.5	3.0	3.5	dB
VSWR	0.01 to 12.4		1.4	1.6	
Flatness			±0.30	±0.40	dB
Polarity			Neg(-)		eV
Video Capacitance		420	470	500	pF
Dynamic Range	0.01 to 12.4	-30		+20	dBm

NOTES:

1. Negative output polarity is standard. Add P to the end of the model number for positive polarity, EZM0112PNC
2. Typical values are measured at +25°C and are not guaranteed

# ZBD Schottky Detector

0.01 to 12.4 GHz

## MODEL NO: EZM0112NC

Typical Performance @ 25°C

